



Optio 58BW Flush Window System

› Uncompromised style and performance



Enjoy a **flawless, flush finish** with the **Optio 58BW Flush** window from AluK.

The already-popular 58BW series just got even more impressive. This innovative aluminium flush window is the one you've been waiting for, with its minimal sightlines and maximum weather resistance combined with all of the familiar features of our enduring 58BW range; advanced performance, incredible versatility and complete security.

Ideal for contemporary new-builds and refurbishment projects, the 58BW Flush is the stylish, durable aluminium alternative to slimline timber and even steel window systems.

With a choice of contemporary slim sashes to create either 70mm or slimmer 46mm sightlines, the sharp shadow line of the 58BW Flush can be achieved with open-out sashes including French casement, bottom, top, and side-hung. What's more, fixed-lights can also have the flush shadow-line with the use of dummy sashes.

Flush Innovation

- ▶ **Advanced weather performance** – features like the double rebate, and friction stays on side-hung windows offer protection against bad weather conditions
- ▶ **Slimmer sightlines** – options for 70mm or 46mm sightlines to suit a range of property styles
- ▶ **Flexible design choice** – the flush shadow line can be complimented with a choice of flat, putty line or stepped edge vent styles to suit the property
- ▶ **Safe and secure** – tested to PAS 24 and certified under the Secured by Design scheme
- ▶ **Stock offer** – readily available on a 5-day lead time in standard single or dual colours



Did You Know?

The 58BW Flush achieves greater weather performance with friction stays on its side-hung windows, whereas alternatives on the market offer peg stays that are vulnerable to damage in windy conditions.

Fabricator Focus

The latest addition to our industry-favourite series, the 58BW Flush offers uncompromised style and performance.

The 58BW series has been expertly engineered to enhance any type of project; from heritage and refurbishments right through to new-builds and ultra-modern application.

Even better still, this latest flush design shares the same sashes, features and hardware with the 70mm frame option for the 58BW suite, making it quicker and easier to fabricate.

Faster Fabrication

- › **Addition to the range** – just three new profiles and no changes to your existing 58BW fabrication set-up
- › **Quick and easy to fabricate** – choice of crimped or mechanical cleat corner fabrication to build quickly with ease
- › **Choice of sash** – choose 70mm or 46mm sightlines to suit customer taste for competitive advance
- › **Stock offer** – readily available on a 5-day lead time in colours 9910HG, 7016M, and 9005M as well as white/grey and white/black for quicker turnaround



Specification and Performance

PERFORMANCE AND ACCREDITATIONS

U-Value (Double Glazing) (Ug: 1.0 W/m ² K)	1.5 W/m ² K
U-Value (Triple Glazing) (Ug: 0.7 W/m ² K)	1.2 W/m ² K
Window Energy Rating (WER)	B-C
BRE Green Guide Rating	A Rated
Air Permeability	Class 4 (600 Pa)
Water Tightness	Class 9a (600 Pa)
Wind Resistance	Class E2400 (2400 Pa)
Acoustic Performance	Rw (C;Ctr) 42 (-1;-5) dB
Security	PAS 24 & SBD
3rd Party Certification Q-Mark	✓

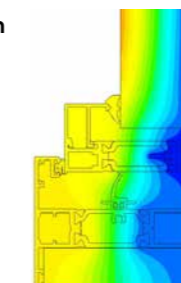
SYSTEM

Depth	70mm
-------	------

CONFIGURATIONS

Top Hung	✓
Side Hung	✓
Bottom Hung	✓
Tilt & Turn	-
Fixed Light	✓
Multi-Light	✓
French Casement	✓

› 58BW Flush Isotherm



SIZE AND WEIGHT LIMITS

Top Hung	
Max Size (mm)	1400w x 1200h
Min. Size (mm)	350w x 250h
Max Weight	35kg
Side Hung	
Max Size (mm)	700w x 1400h
Min. Size (mm)	300w x 350h
Max Weight	26kg
Bottom Hung	
Max Weight	50kg (2 hinges)
Fixed Light	
Max Weight	250kg

SYSTEM FEATURES

Single Colour	✓
Dual Colour	✓
Textured Finish	✓
Anodised Finish	✓
Multi-Point Locking	✓
Smoke Vent Compliance	✓

SIGHTLINE

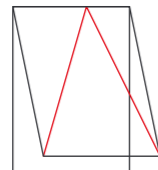
Frame to Vent	75mm
Vent to Mullion to Vent	112mm
Fixed Light	53mm

GLAZING

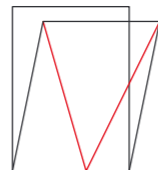
Glazing Options	Internal & External Bead
Glazing Thickness	24mm - 40mm

Window Configurations

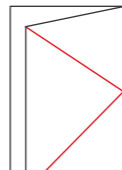
› Top Hung



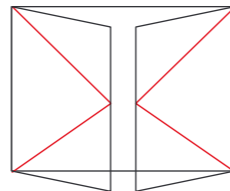
› Bottom Hung



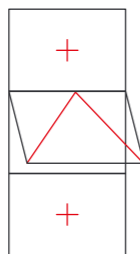
› Side Hung



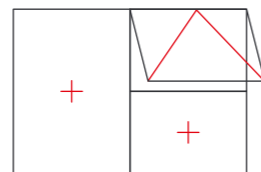
› French Casement



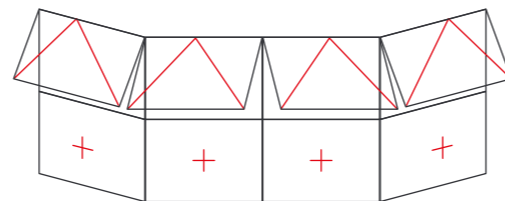
› Tall



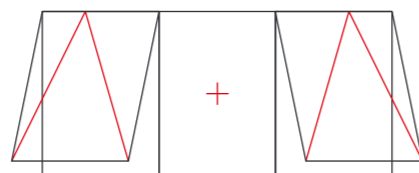
› Multi-Lights & Top Hung



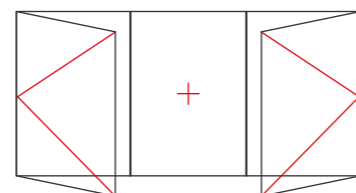
› Bay Window - Top Hung & Multi-Lights



› Top Hung & Fixed Light



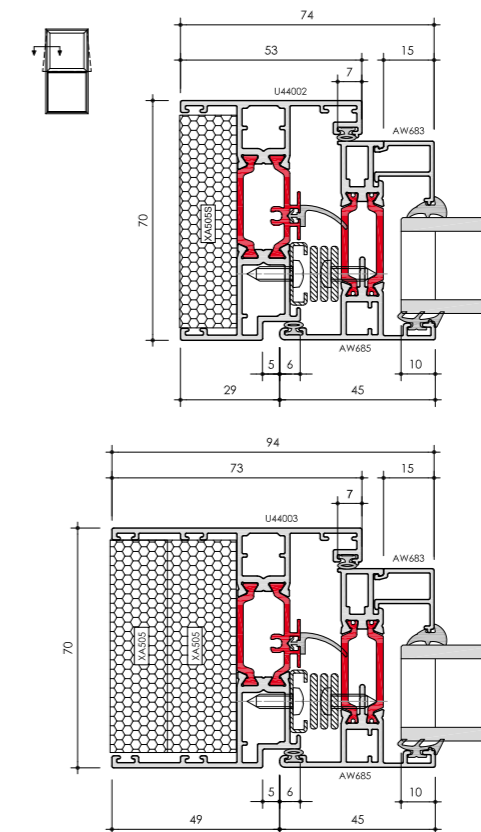
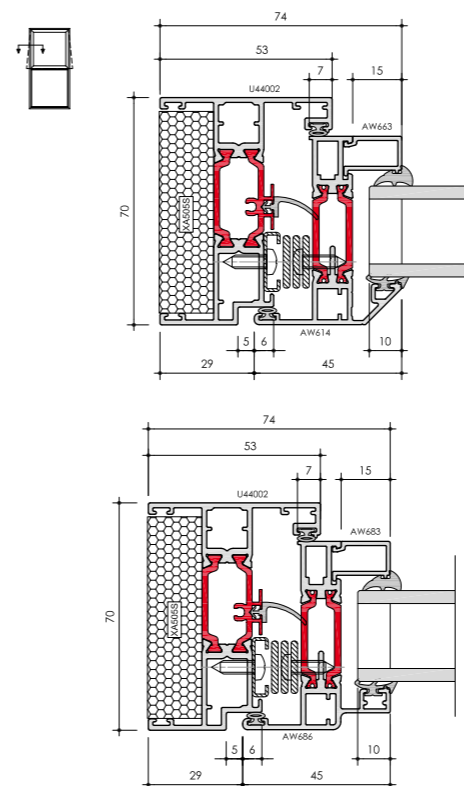
› Side Hung & Fixed Light



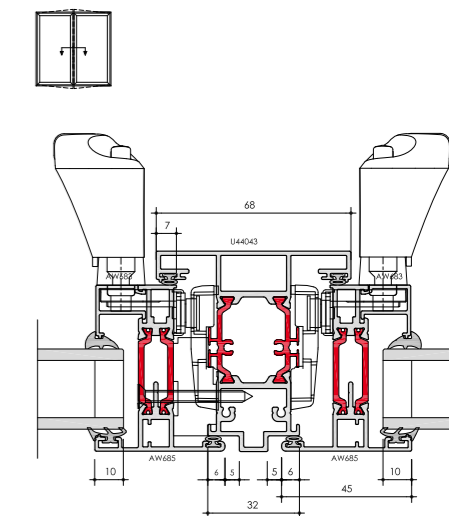
These are examples of popular window configurations, though many more are possible.

CAD Cross Sections

› JAMB Section



› French Casement Floating Mullion



01291 639 739
info.uk@aluk.com

Registered Office

AluK (GB) Ltd
Newhouse Farm Ind Est
Chepstow
NP16 6UD

London Office

AluK Design Studio
5-11 Worship Street
London
EC2A 2BH

Registered Number

02881320

ALUK.CO.UK

ALUK[®]